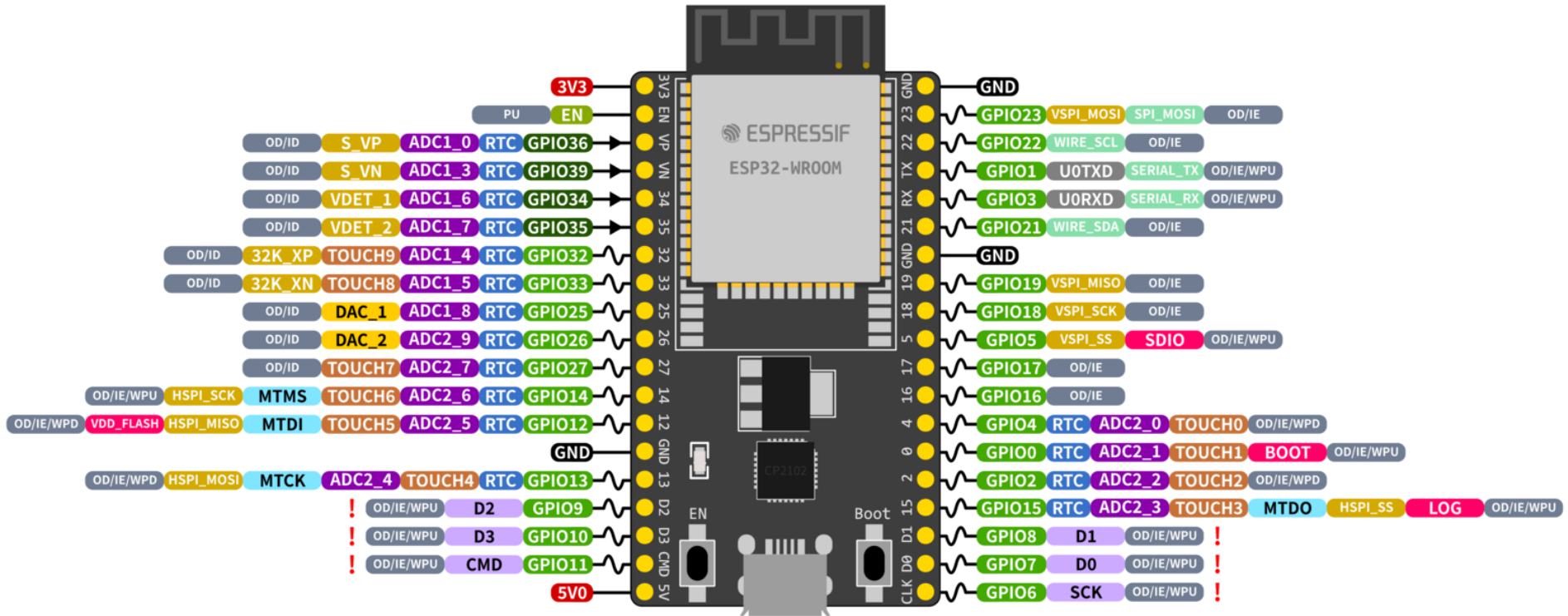


# ESP32-DevKitC



## ESP32 Specs

32-bit Xtensa® dual-core @240MHz  
 Wi-Fi IEEE 802.11 b/g/n 2.4GHz  
 Bluetooth 4.2 BR/EDR and BLE  
 520 KB SRAM (16 KB for cache)  
 448 KB ROM  
 34 GPIOs, 4x SPI, 3x UART, 2x I2C,  
 2x I2S, RMT, LED PWM, 1 host SD/eMMC/SDIO,  
 1 slave SDIO/SPI, TWAI®, 12-bit ADC, Ethernet

- PWM Capable Pin
- GPIOX GPIO Input Only
- GPIOX GPIO Input and Output
- DAC\_X Digital-to-Analog Converter
- DEBUG JTAG for Debugging
- FLASH External Flash Memory (SPI)
- ADCX\_CH Analog-to-Digital Converter
- TOUCHX Touch Sensor Input Channel
- OTHER Other Related Functions
- SERIAL Serial for Debug/Programming
- ARDUINO Arduino Related Functions
- STRAP Strapping Pin Functions

- RTC RTC Power Domain (VDD3P3\_RTC)
- GND Ground
- PWD Power Rails (3V3 and 5V)
- Pin Shared with the Flash Memory Can't be used as regular GPIO

### GPIO STATE

- WPU:** Weak Pull-up (Internal)
- WPD:** Weak Pull-down (Internal)
- PU:** Pull-up (External)
- IE:** Input Enable (After Reset)
- ID:** Input Disabled (After Reset)
- OE:** Output Enable (After Reset)
- OD:** Output Disabled (After Reset)